

LD40011A/B Series – 4.00 inch Single Digit 7 Segment LED Display



ATTENTION
OBSERVE PRECAUTIONS
FOR HANDLING
ELECTROSTATIC
DISCHARGE
SENSITIVE
DEVICES



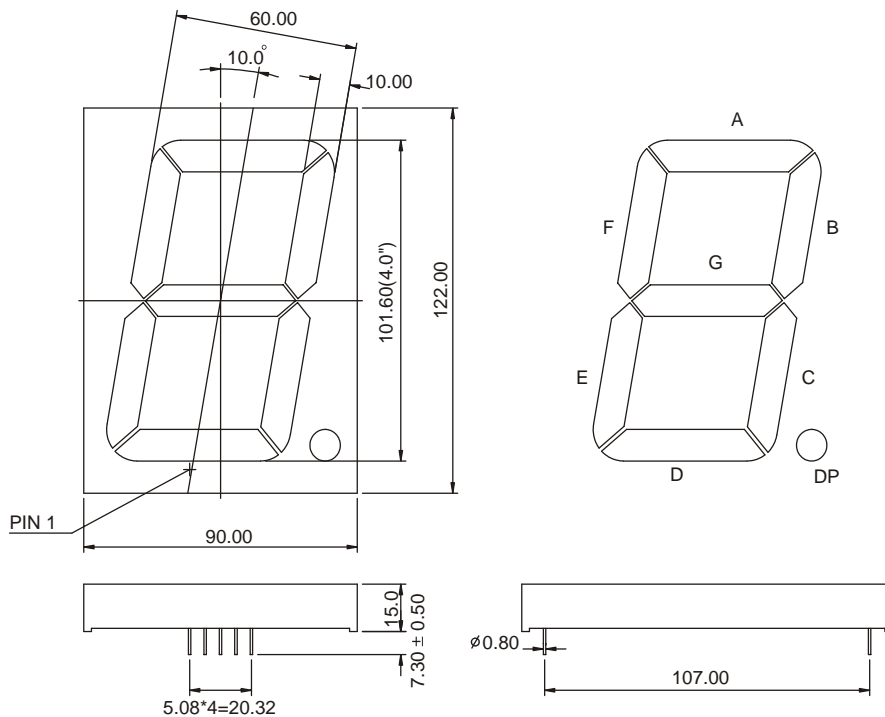
Features

- 101.60 mm (4.00 inch) digit high
- Excellent digit appearance
- Wide viewing angle
- Range of emitted colors
- I.C. compatible
- Low power consumption
- White segment, black face
- RoHS compliant

Available options

- Alternative emitting luminosity:
Standard or high brightness version
- Alternative emitted color
- Alternative face and segment color
- Alternative font
- Both CA and CC versions are available
- Cropped terminal pins

Package Dimensions

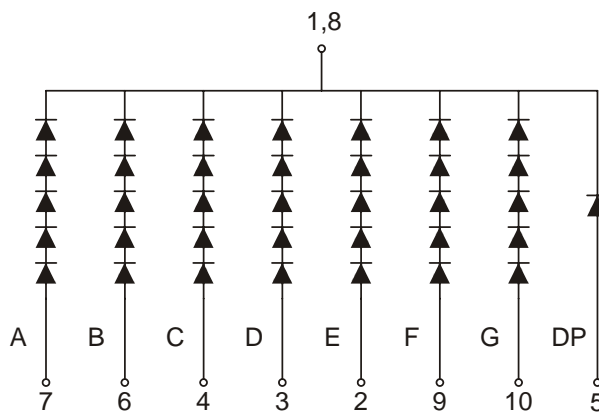


Notes:

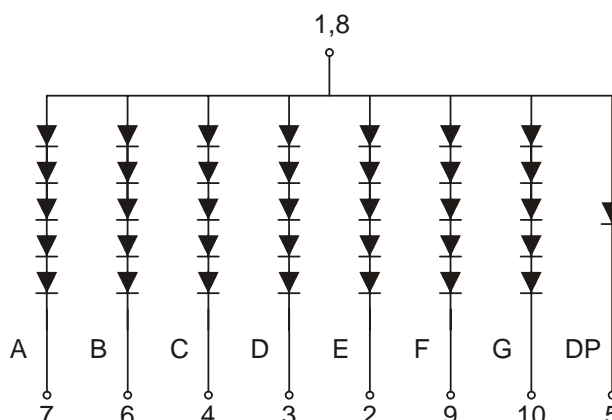
1. All dimensions are in millimeters (inches), Tolerance is $\pm 0.25\text{mm}$ (0.01inch) unless otherwise noted.
2. Specifications are subject to change without notice.
3. The gap between the reflector and PCB shall not exceed 0.25mm.

Internal Circuit Diagram

LD40011A (Common Cathode)



LD40011B (Common Anode)



Selection Guide

Single Digit 7 Segment LED Display, Digit Height: 101.60mm(4.00inch), External Dimensions: 90.00x122.00x15.00mm (L x W x H)

Part No.		Chip			Iv@IF=20mA		Iv@IF=20mA	
CC	CA	Material	Color	WLD	One Seg		One DP	
					Min.	Typ.	Min.	Typ.
LD40011AR	LD40011BR	GaAlAs	Super Red	640	30	37.5	8	10
LD40011AD	LD40011BD	GaAlAs	Hi-Red	640	67.5	93.75	18	25
LD40011AO	LD40011BO	GaAsP	Orange	625	26.25	33.75	7	9
LD40011AY	LD40011BY	GaAsP	Yellow	588	30	37.5	8	10
LD40011AG	LD40011BG	GaP	Green	568	26.25	33.75	7	9
LD40011AUR	LD40011BUR	AlGaInP	Ultra Red	640	112.5	168.8	30	45
LD40011AUO	LD40011BUO	AlGaInP	Ultra Orange	625	168.75	225	45	60
LD40011AUA	LD40011BUA	AlGaInP	Ultra Amber	65	112.5	168.8	30	45
LD40011AUY	LD40011BUY	AlGaInP	Ultra Yellow	595	112.5	168.8	30	45
LD40011AUG	LD40011BUG	AlGaInP	Ultra Green	573	112.5	168.8	30	45
LD40011APG	LD40011BPG	InGaN	Pure Green	525	450	1125	120	300
LD40011AUB	LD40011BUB	InGaN	Ultra Blue	470	112.5	168.8	30	45
LD40011AUW	LD40011BUW	SMD	Ultra White	\	375	450	100	120
Unit:	\	\	\	nm	mcd	mcd	mcd	mcd

Electrical Characteristics & Absolute Maximum Ratings

Parameter		Electrical optical Characteristics ^[1]			Absolute Maximum Ratings ^[1]		
Emitted color		Forward Voltage @ IF=20mA		Reverse Current VR=5V	Power Dissipation	DC Forward Current	Peak Forward Current ^[2]
		Typ.	Max.				
Super Red	Per Seg.	1.8	2.2	30	60	25	100
	Per DP	1.8	2.2	30	60	25	100
Hi-Red	Per Seg.	1.8	2.2	30	60	25	100
	Per DP	1.8	2.2	30	60	25	100
Orange	Per Seg.	2.1	2.5	30	80	30	100
	Per DP	2.1	2.5	30	80	30	100
Yellow	Per Seg.	2.1	2.5	30	80	30	100
	Per DP	2.1	2.5	30	80	30	100
Green	Per Seg.	2.2	2.5	30	80	30	100
	Per DP	2.2	2.5	30	80	30	100
Ultra Red	Per Seg.	1.9	2.6	30	60	30	100
	Per DP	1.9	2.6	30	60	30	100
Ultra Orange	Per Seg.	2	2.6	30	65	30	100
	Per DP	2	2.6	30	65	30	100
Ultra Amber	Per Seg.	2	2.6	30	65	30	100
	Per DP	2	2.6	30	65	30	100
Ultra Yellow	Per Seg.	2	2.6	30	65	30	100
	Per DP	2	2.6	30	65	30	100
Ultra Green	Per Seg.	2.1	2.6	30	75	30	100
	Per DP	2.1	2.6	30	75	30	100
Pure Green	Per Seg.	3.5	4	30	110	30	100
	Per DP	3.5	4	30	110	30	100
Ultra Blue	Per Seg.	3.5	4	30	120	30	100
	Per DP	3.5	4	30	120	30	100
Ultra White	Per Seg.	3.5	4	30	120	30	100
	Per DP	3.5	4	30	120	30	100
Unit:	\	V	V	uA	mW	mA	mA

Notes:

1. At Ta = 25 °C.

2. Peak forward current at 1/10 Duty Cycle, 0.1ms Pulse.